



# FAIRLIGHT FRAME GEOMETRIES

**FIT  
FUNCTION  
FORM**

# HEADSET TOP CUP STACK INFO

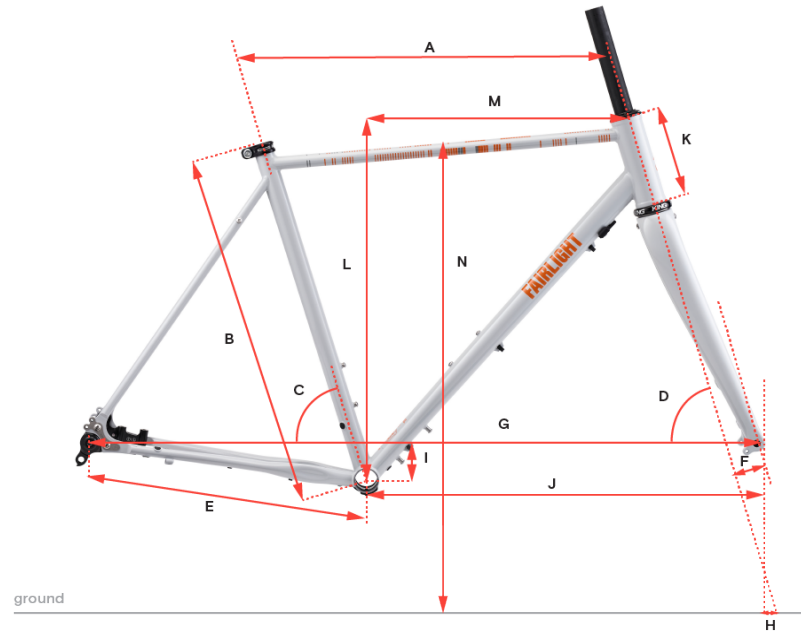
**Strael 1.0/2.0/3.0 , Secan 1.0/2.0/2.5, Holt**

Hope (Cup 2) - 8mm  
Chris King (Inset 7) - 8.2mm  
FSA - 8mm

## **Faran 2.0**

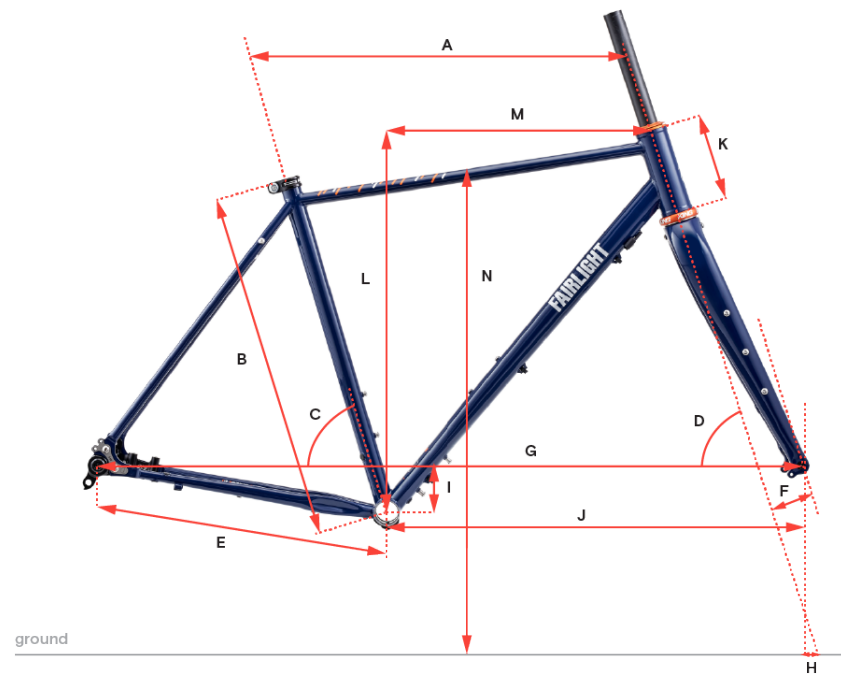
Hope (Cup 1) - 17mm  
Chris King (No Threadset 1.1/8") - 17.7mm  
FSA - 17mm

# STRAEL 1.0, 2.0, 3.0



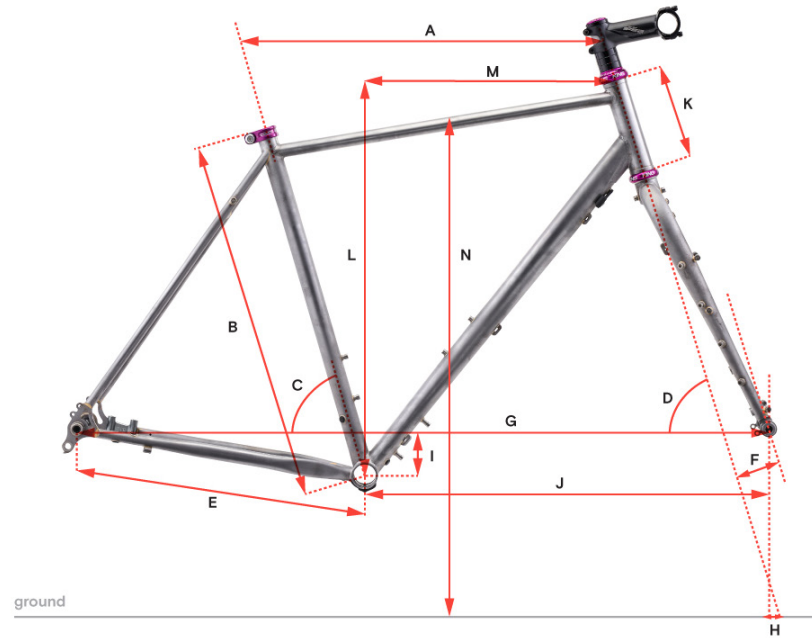
	Size	51R	51T	54R	54T	56R	56T	58R	58T	61R	61T
A	Top Tube Horizontal	536	531	550	545	566	558	580	573	594	594
B	Seat Tube (BB to top ST)	510	514	532	536	545	557	564	575	583	592
C	Seat Tube Angle	74	74	73.5	74	73	73.5	73	73.5	73	73.5
D	Head Tube Angle	72	71.5	72.5	72.5	73.5	73	73.5	73	73.5	73
E	Chainstay Length	418	418	418	418	418	418	418	418	418	418
F	Fork Rake	45	45	45	45	45	45	45	45	45	45
G	Wheelbase	993	993	998	999	1000	1002	1014	1017	1028	1039
H	Trail - 700x 28 = 685mm	63	66	60	60	54	57	54	57	54	57
I	Bottom Bracket Drop	68	68	68	68	68	68	68	68	68	68
J	Front Center Distance	585	585	590	590	592	594	605	609	619	630
K	Head Tube Length	110	140	130	160	140	180	160	200	180	220
L	Stack	530	557	551	579	564	600	583	619	602	639
M	Reach	383	370	386	378	394	380	402	389	410	405
N	Standover height (with 700x28 tyre)	764	779	784	801	795	821	815	839	834	857
	Fork Length - Axle to Crown	381	381	381	381	381	381	381	381	381	381

# SECAN 1.0, 2.0, 2.5

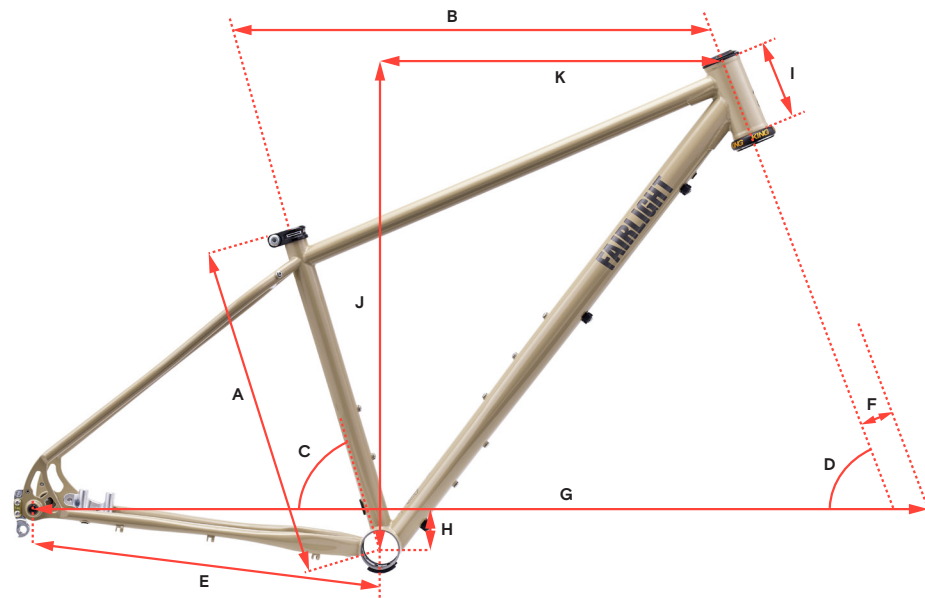


	Size	51R	51T	54R	54T	56R	56T	58R	58T	61R	61T
A	Top Tube Horizontal	536	535	553	553	567	566	584	581	597	598
B	Seat Tube (BB to top ST)	490	495	510	515	520	535	540	555	560	575
C	Seat Tube Angle	74	74	73.5	74	73.5	73.5	73	73.5	73	73.5
D	Head Tube Angle	70.5	70.5	71	71.5	72	72	72.5	72.5	72.5	72.5
E	Chainstay Length	430	430	430	430	430	430	430	430	430	430
F	Fork Rake	50	50	50	50	50	50	50	50	50	50
G	Wheelbase	1021	1022	1029	1030	1034	1034	1041	1045	1054	1062
H	Trail - 650 x 47 = 685mm	68.2	68.2	65.1	61.9	58.7	58.7	55.6	55.6	55.6	55.6
	Trail - 700 x 38 = 697mm	70.4	70.4	67.1	63.9	60.7	60.7	57.5	57.5	57.5	57.5
	Trail - 650 x 2.2" = 702mm	71.3	71.3	68	64.7	61.5	61.5	58.2	58.2	58.2	58.2
I	Bottom Bracket Drop	77	77	77	77	77	77	77	77	77	77
J	Front Center Distance	603	604	611	611	616	616	622	626	635	644
K	Head Tube Length	100	130	120	150	130	170	150	190	170	210
L	Stack	538	567	559	589	572	610	593	631	612	650
M	Reach	380	371	386	383	397	385	402	394	410	405
N	Standover height (with 650x47 tyre)	751	768	771	789	782	809	802	829	821	848
	Fork Length - Axle to Crown	398	398	398	398	398	398	398	398	398	398

# FARAN 2.0



	Size	51R	51T	54R	54T	56R	56T	58R	58T	61R	61T
A	Top Tube Horizontal	535.9	534.7	547.5	548	565	563.7	583.5	582.8	597.3	597.9
B	Seat Tube (BB to top ST)	515	518	535	540	550	560	568	580	586	596
C	Seat Tube Angle	74	74	74	74	73.5	73.5	73	73	73	73.5
D	Head Tube Angle	71.5	71.5	72	72	72	72	72.5	72.5	72.5	72.5
E	Chainstay Length	430	430	430	430	430	430	430	430	430	430
F	Fork Rake	60	60	60	60	60	60	60	60	60	60
G	Wheelbase	1022.6	1022.6	1029.7	1030.8	1042.4	1042.4	1051.2	1051.2	1064.4	1072.1
H	Trail - 650 x 47 = 685mm	51.3	51.3	48.2	48.2	48.2	48.2	45.1	45.1	45.1	45.1
	Trail - 700 x 38 = 697mm	53.3	53.3	50.1	50.1	50.1	50.1	47	47	47	47
	Trail - 650 x 2.2" = 702mm	54.2	54.2	51	51	51	51	47.8	47.8	47.8	47.8
I	Bottom Bracket Drop	77	77	77	77	77	77	77	77	77	77
J	Front Center Distance	603.1	603.2	610.9	613	623.7	623.4	632.3	632	646.2	653.1
K	Head Tube Length	93	121	111	143	127	164	144	183	164	204
L	Stack	540.2	566.8	559.3	590	574.5	609.7	592.6	629.8	611.7	649.8
M	Reach	379.9	371.1	386.2	378	394.2	382.5	402.1	390.1	410.1	405
N	Standover height (with 650x47 tyre)	765.5	780.2	784.7	802.3	798.9	821.3	816.1	840.4	834.2	858.7
	Fork Length - Axle to Crown	408	408	408	408	408	408	408	408	408	408



Fork axle to crown measurements are based on:  
 SID SL 100mm with 20% sag = 486mm, SID 110mm with 20% sag = 499mm, SID 120mm with 20% sag = 507mm

	Size	Small			Medium			Large			Extra Large		
		100mm	110mm	120mm	100mm	110mm	120mm	100mm	110mm	120mm	100mm	110mm	120mm
A	Seat Tube (BB to top ST)	385	385	385	420	420	420	460	460	460	520	520	520
B	Effective Top Tube	590	592	593	610	612	613	633	635	636	659	661	662
C	Seat Tube Angle	74.8	74.2	73.83	74.8	74.2	73.83	74.8	74.2	73.83	74.8	74.2	73.83
	Effective Seat Tube Angle - 700mm saddle	75.5	75.1	74.7	75.5	75.1	74.7	75.5	75.1	74.7	75.5	75.1	74.7
	Effective Seat Tube Angle - 800mm saddle	75.4	75	74.6	75.4	75	74.6	75.4	75	74.6	75.4	75	74.6
	Effective Seat Tube Angle - 900mm saddle	75.3	74.9	74.5	75.3	74.9	74.5	75.3	74.9	74.5	75.3	74.9	74.5
D	Head Tube Angle	68.1	67.5	67.1	68.1	67.5	67.1	68.1	67.5	67.1	68.1	67.5	67.1
E	Chainstay Length	433	433	433	433	433	433	433	433	433	433	433	433
F	Fork Offset	44	44	44	44	44	44	44	44	44	44	44	44
G	Wheelbase	1122	1128	1130	1142	1148	1150	1166	1171	1174	1194	1199	1202
H	Bottom Bracket Drop	67	63	60	67	63	60	67	63	60	67	63	60
I	Head Tube Length	100	100	100	100	100	100	110	110	110	130	130	130
J	Stack	606	611	614	606	611	614	615	620	623	634	639	641
K	Reach	432	425	421	451	445	441	472	465	461	491	485	481
	Fork Length - Axle to Crown (see notes above)	486	499	507	486	499	507	486	499	507	486	499	507
	Recommended stem length	40-60mm			50-70mm			50-70mm			60-80mm		
	Size guide - cm	160-172cm			170-180cm			178-188cm			186-195 cm		
	Size guide - feet and inches	5ft 3in - 5ft 8in			5ft 7in - 5ft 11in			5ft 10in - 6ft 2in			6ft 1in - 6ft 5in		